

QUALITY
BOWLING PRODUCTS

2016-2017
FEATURED PARTS

Pit Cushion Facings (PVC & Polyester)

Part No.	Application	Replaces
12-8670	A•2 & Jetback Cushions	12-862970
12-8671	Model A & Zot Cushions	12-860971
12-2539	Spare Ty-Rap® cable ties (12 pk)	11-603114

Rugged and Flexible. Quickly installed using heavy duty nylon Ty-Rap cable ties.

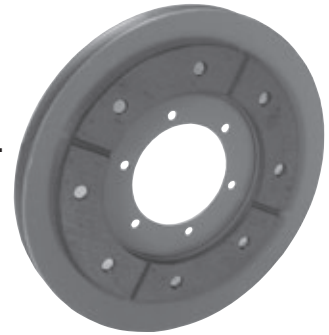


12-8630 Clutch Pulley (Original Type)

Replaces 12-860630

IMPROVED!

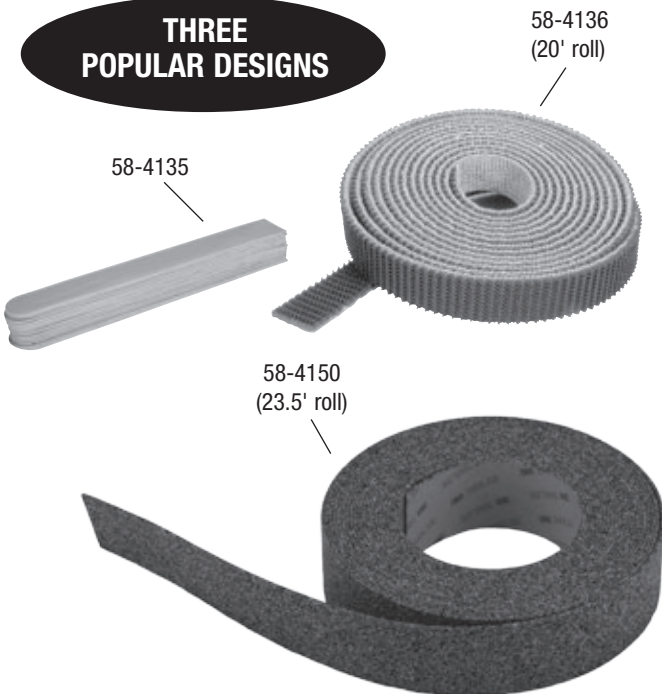
Manufactured using thick steel plates that are welded together to prevent plate separation and rivet failure. **This pulley will not split apart.** Assembled using high quality non-asbestos clutch facings. Pulley will accept either the quality 12-8629 clutch bearing assembly or any Brunswick clutch bearing.



Ball Wheel Kicker Strips

Part No.	Description
58-4135	PVC kicker strips (tan color/12 pk) Self adhesive back
58-4136	20' roll of rough top PVC belting installs with contact cement
58-4150	23.5' roll of Cork/Rubber blend with 3M adhesive back

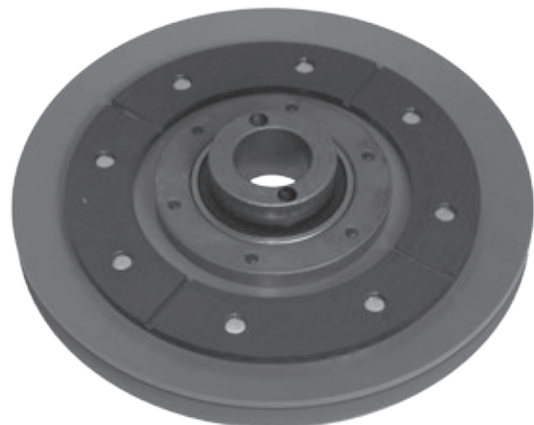
**THREE
POPULAR DESIGNS**



12-8640 Clutch Bearing Assembly



12-8641 Clutch Pulley Assembly - Complete



124-2034 Ball Lift Track

Replace the original two-piece rubber and leather assembly with this one-piece long lasting urethane track. This top of the line product is easy to install and provides excellent ball movement through the power lift. See page 43 for more information.



12-5210

Y Track Assembly

Replaces 12-502100-91



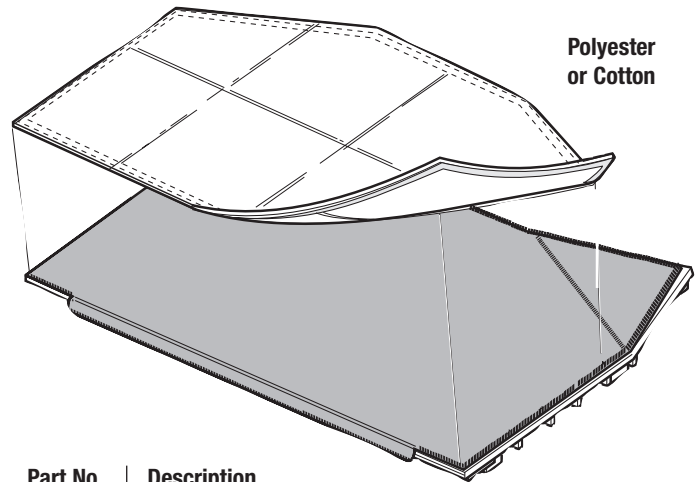
9-725

Replacement Oilite Bearing

Reinforced bottom plate won't break

- Strong, welded reinforcement eliminates breakage across the mounting holes for the Y-switch plate.
- Rods are formed for optimum ball transfer and microfinished to protect balls from damage.
- No special mounting hardware needed.

Carpet Covers



Part No.	Description
12-8662	White Polyester - Heavy Duty
12-8663	White Cotton

Whether it's the most popular and economical white cotton cover or the white high wear polyester, both are machine washable and offer excellent dirt pick up. With the ever increasing amount of lane conditioner being carried to the backend, these covers are critical to keeping pins and balls clean.

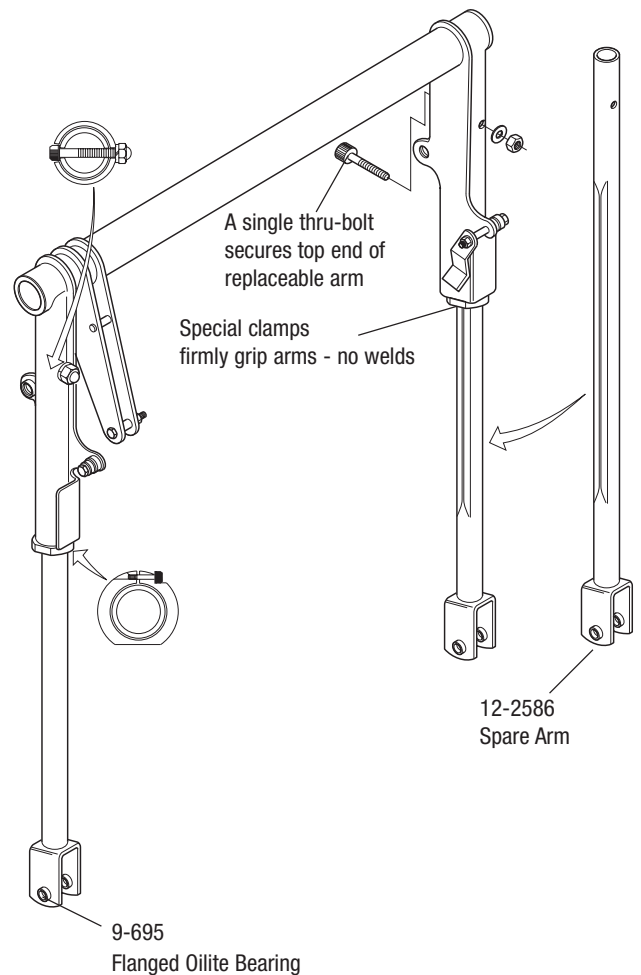
12-2585

Rake Shaft Assembly

Replaces 12-862186

Part No.	Description
12-2585	Rake Shaft Assembly (Complete)
12-2586	Spare Arm Assembly (Fits either side of the 12-2585 Rake Arm)
9-695	Flanged Oilite Bearing
4-7115	Lockwasher (5/16")
9-770	Flanged Bronze Bearing

- Either arm can be quickly and easily replaced in the event of damage.
- Eliminates the need for welding or rake shaft repair kits.
- Individual arms last longer due to the elimination of fatigue producing welds.
- Easy to install. First install the top tube assembly on the pinsetter, then slide the arms into place.
- Can be shipped on U.P.S.

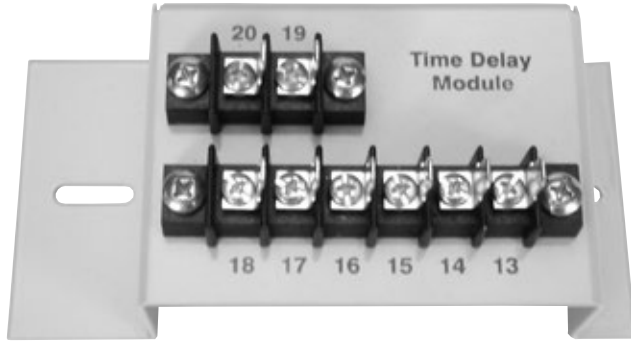


12-8600

Solid State Time Delay Module

Replaces 12-862890

A modern, circuit board based Time Delay Module for all A*2 and Jetback machines. No relays, reed relays or fragile point to point wiring used. Works on U.S. and Japanese pinsetters including adjustable time delay.



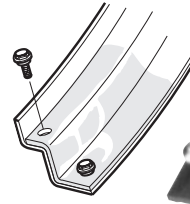
Urethane Power Lift Tracks

Replaces 90-520171

Replace the original two-piece rubber and leather assembly with a one-piece long lasting urethane track. Choose from these original brown or blue tracks. Both are top of the line products that are easy to install and provide excellent ball movement through power lifts. All tracks ship with washer headed fastening bolts.

Only for B2000 and before.

NOTE: Not for Frameworkx.



Part No.	Track Description
124-2034	Soft Brown Urethane - includes 12 washer head bolts
58-2434	Blue Urethane - includes 12 washer head bolts
8-188	Washer Head Bolts (Pkg. of 48) Can be used to upgrade existing installations. They work with most types of urethane tracks.

Gum Rubber Rod Covers

Two styles to choose from, the standard OEM and the oil resistant lift rod cover. The oil resistant cover uses a special formula that will stand up to conventional lane oils **and** provides longer life.



**12-4049R
OIL RESISTANT**

Part No.	Length	Description	Replaces
12-4049R	50 feet (shown)	Oil Resistant	
12-4048	90 inches	Standard Rubber	12-400048-5
12-4049	50 feet	Standard Rubber	12-400048-91
38-4048	Installation Air Fitting		

27-8651 Cross Conveyor

This is the "cogged top surface" belt supplied as original equipment on American built pinsetters.

27-8651HP Cross Conveyor

High performance
Soft, gray top provides maximum gripping power.



12-7256

Pinsetter Motor

Replaces 12-752056

- 115/208/230 Volt - 60 Cycle
- 1-1/2 Horsepower
- 1725 RPM
- Push Button Thermal Overload
- Open Drip Proof - Fan Cooled
- Mechanical Internal Switch
- Efficient Capacitor Run Design
- **Large and Heavy Frame**
- **No Adapters Required**
- **Complete with Cord & Plug**



**50% MORE POWER
AT A LOWER PRICE**

12-7266

Pinsetter Motor (Export)

Replaces 12-862077

- 110/220 Volt - 50 Cycle
- 1-1/2 Horsepower
- 1450 RPM
- Push Button Thermal Overload
- Open Drip Proof - Fan Cooled
- Mechanical Internal Switch
- Efficient Capacitor Run Design

Urethane Rod Cover (Sets)

The two choices of durometer are produced using a special formulation of urethane to maximize the life of the cover. It does not absorb oil which can cause premature failure of rod covers. Each set includes three 40" pieces for easy installation.

- The Brown cover has a slightly smaller inside hole diameter which gives it the greatest resistance to twisting but also makes it a little more difficult to install.
- The Blue product is softer and more flexible.
- Each part consists of three 40" pieces.



Part No.	Color
12-4350	Brown - Hard
58-4350	Dark Blue - Soft

12-2584

Rubber Pit Curtain

Replaces 12-862167

Nylon mesh reinforced double wall rubber curtain. Smooth on back side means that it is easy to clean. Textured front surface eliminates unwanted reflections that disturb scanners. Support rod loops are bonded, not stitched, eliminating weak points common to inferior sewn curtains.



Non-Reflective Front Surface

12-1060

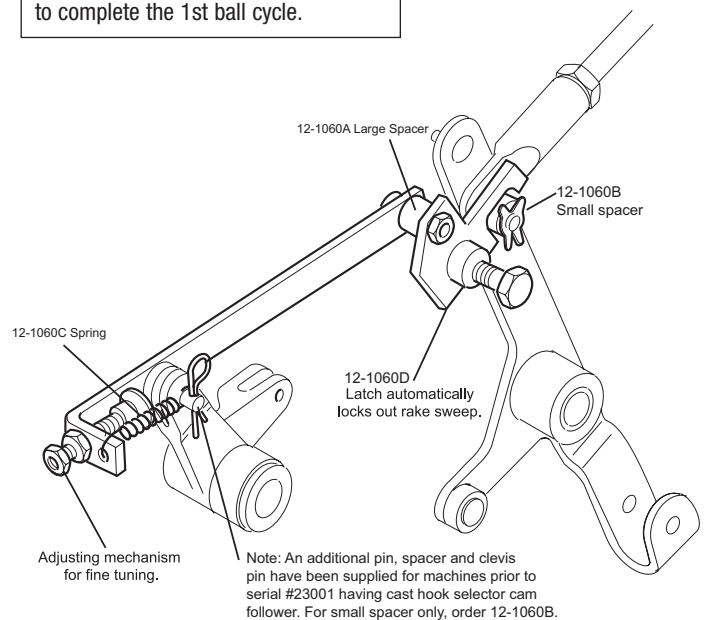
Automatic Out-of-Range Assembly

Thousands have been sold.

Eliminates machine calls, which are unnecessary where no "deadwood" exists. Especially effective in today's high oil environments.

**GREAT FOR OILY
CONDITIONS**

Out-of-Range lever (12-100437) no longer functions, allowing the gear box to complete the 1st ball cycle.



12-4036

Urethane Wheel Guards

Replaces

90-400840-600

Carriage Bolt - Order 4-5702

Hex Jam Nut - Order 4-6420

A thick and rigid wheel guard, it is designed with slotted mount holes. The universal fit design allows the guard to be installed on either side of the elevator. Shipped complete with mounting hardware.



12-2169

“HOT SHOT” Deck Pads

The famous deck pad constructed of solid Neoprene rubber. The pad is built with permanently mounted threaded studs protruding from the rim to make installation easier.

Note: Deck pads packed in boxes of 10 pieces with hardware.

Part No.	Description	Qty.
38-2169	Drilling Template (for drilling older decks)	1



12-4039

Ball Wheel Bracket Repair Kit

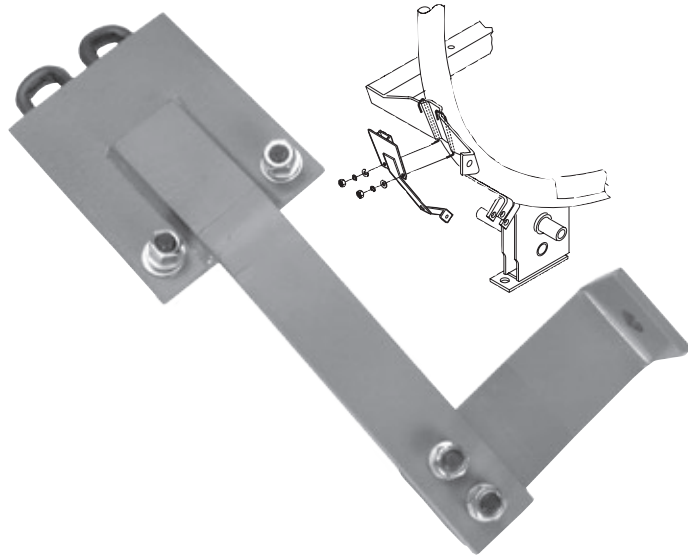
12-4039H

Ball Wheel Hardware Kit with R.H. and L.H. J-Bolts

12-4039J

Ball Wheel Bracket Repair Kit (Japanese)

This repair kit is a great solution for broken lower ball wheel guard brackets. This permanent repair requires no drilling, tapping or welding. The specially shaped weldment on the rear of the mounting plate locks the repair bracket onto the elevator frame. Don't risk damaging the elevator frame by drilling and tapping when this permanent repair clamps on in minutes.



Urethane Chutes

- With coefficients of friction lower than other urethane deck chute on the market, bowling may just forget what a pin jam is.
- Chutes exhibit the long life of urethane so they outlast any other deck chute on the market.
- The multi position deck chute has 6 mounting hole locations for desired installation preference.



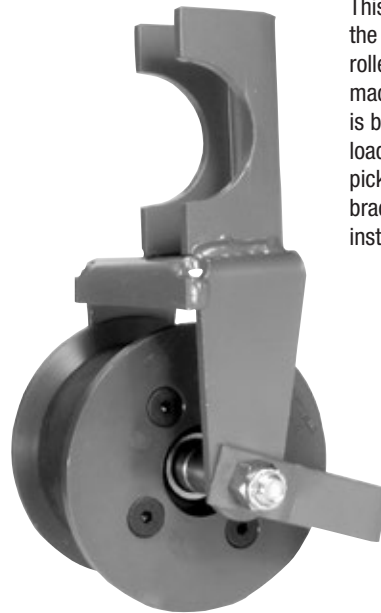
Urethane Part No.	Pin Position
90-2802U	#1
90-2803U	#7 & #10
90-2820U	#2, #3, #4, #6, #8, & #9
90-2837U	#5

Power Lift Tires

Part No.	Description
57-2036	Urethane "V" tire bonded to aluminum hub



12-8623 Heavy Duty Guide Roller



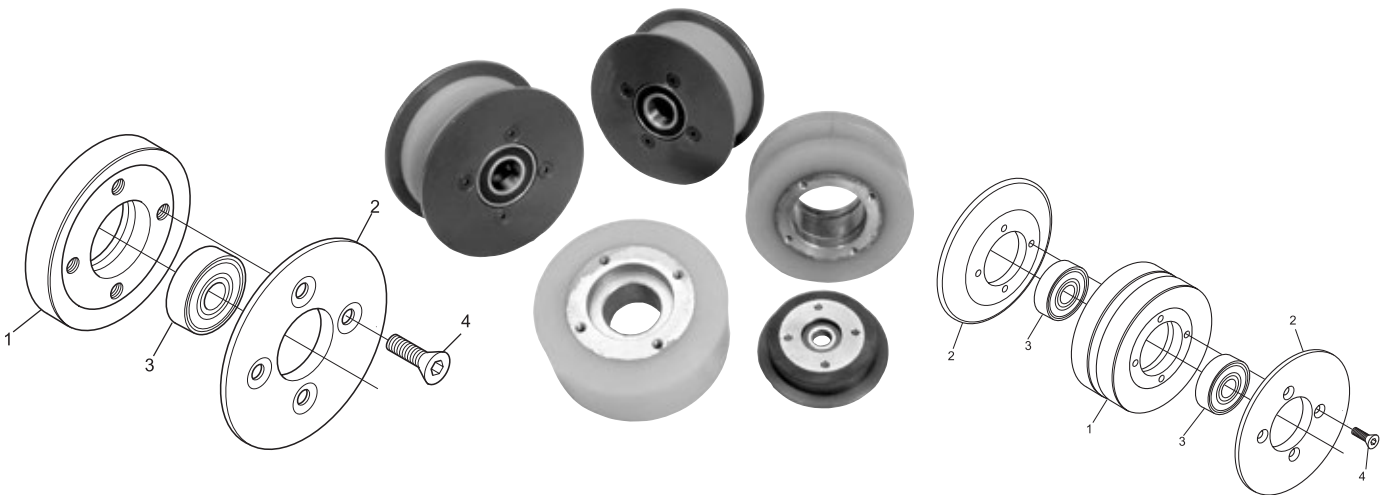
This unit is designed to replace the pair of upper ball wheel guide rollers on the lift rod side of the machine. The solid urethane roller is better suited to handle the heavy load force of the ball wheel as it picks up a ball. Innovative mounting bracket design provides easier installation and adjustment.

Spare Parts

12-8623A	Hub & Tire
12-8623B	Nylon Flange
12-8623C	Bearing Shaft
12-8623J	Mount Bracket
12-8623H	Belt Guard
25-006	Bearing
4-9012	U-Bolt

Ball Wheel Guide Rollers - Upper and Lower

These top quality urethane guide rollers are produced using a proprietary process to maximize the bonding of the urethane to steel hubs for long life. The manufacturing processes ensures that precise control is maintained over the molding of both the urethane tires as well as the nylon flanges. Assemblies utilize only name brand replaceable bearings. Don't risk buying cheap rollers which were produced using 1970's technology. Offered here are two types of urethane rollers, hard and soft, to satisfy bowling needs.



Upper Ball Wheel Guide Rollers

Key	Part No.	Description	Replaces
	12-4272	Complete Assy. (Soft)	12-400272
	90-4272	Complete Assy. (Hard)	
1	12-4271	Hub & Tire (Soft)	12-400271
	90-4271	Hub & Tire (Hard)	12-400271
2	12-4269	Nylon Flange	12-400269
3	25-005	Replaceable Radial Ball Bearing	11-430004
4	4-4113	F.H. Cap Screw, Pkg. of 10 (Hard)	11-007180-1

Lower Ball Wheel Guide Rollers

Key	Part No.	Description	Replaces
	90-4268	Complete Assy. - Grooved (Hard)	12-400268
	90-4240	Complete Assy. - Smooth (Hard)	12-400240
1	90-4258	Hub & Tire - Smooth (Hard)	90-400258
1	90-4260	Hub & Tire - Grooved (Hard)	
2	12-4257	Nylon Flange	12-400257
3	25-011	Replaceable Radial Ball Bearing	11-430013
4	4-4113	F.H. Cap Screw, Pkg. of 10 (Hard)	11-007180-1



525 West Laketon Avenue
Muskegon, MI 49441-2601 USA
1-800-Yes-Bowl (Options 2,2,*)
1-231-725-4966 (Options 2,2,*)
inquiries@brunbowl.com
www.brunswickbowling.com

Go to www.brunswickbowling.com/contact
to find a local Brunswick Sales Representative

Ty-Rap is a registered trademark of Thomas & Betts International, Inc. Velcro is a registered trademark of Velcro Industries. IBM is a registered trademark of International Business Machines Corporation. Rolodex is a registered trademark of Berol Corporation. Windows is a registered trademark of Microsoft Corporation in the United States and/or other countries. All other trademarks belong to Brunswick Bowling Products, LLC.

Brunswick is committed to continuous improvement. As a result, all specifications and options are subject to change without notice. Not for reproduction without the express written consent of Brunswick Bowling Products, LLC.

©2016 Brunswick Bowling Products, LLC. Printed in the USA.
Item #10095200008 • Form #0616-05

2016-2017 CATALOG